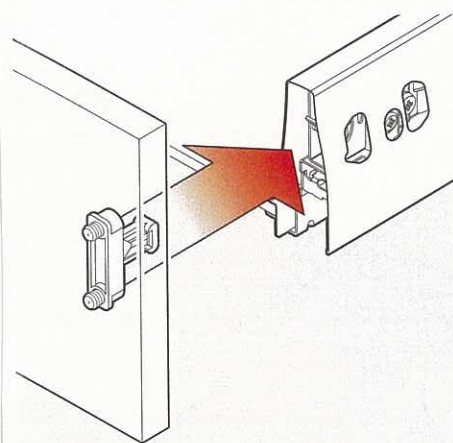
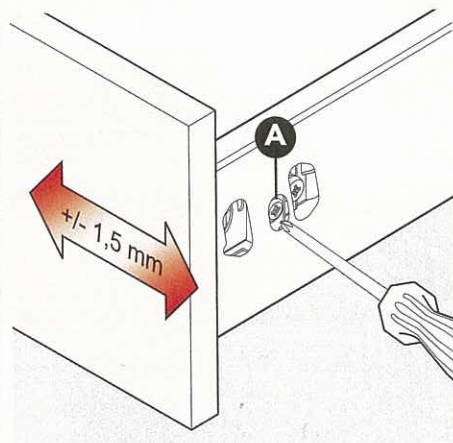


Drawer front mounting



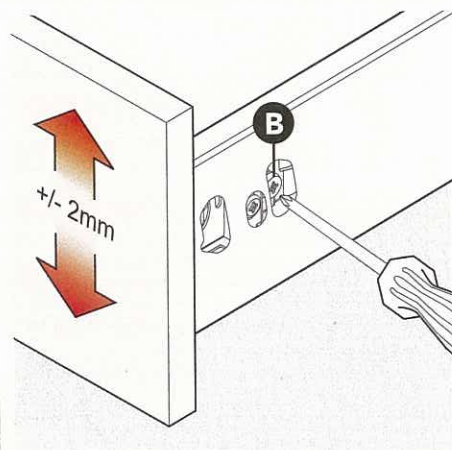
Insert front holder into drawer. Drawer front snaps shut automatically and is fixed.

Side adjustment



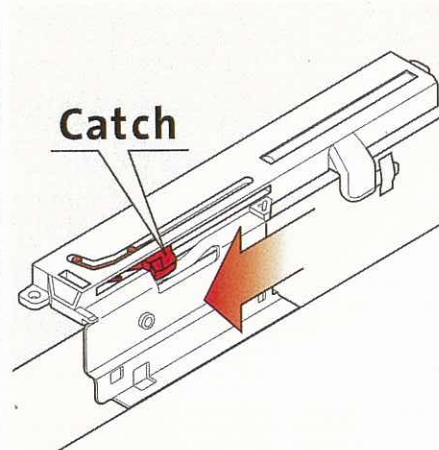
Turn screw (A). Due to integrated side adjustment only right side has to be adjusted.

Height adjustment

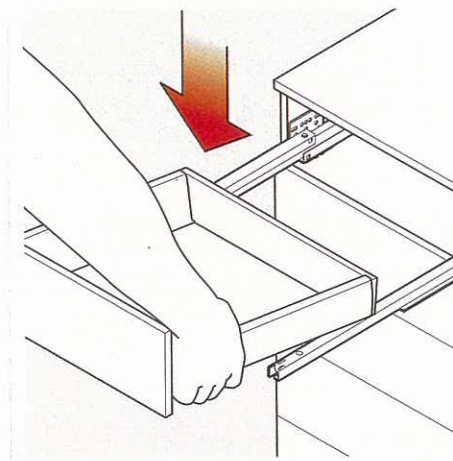


Loosen fixing screw on both sides (B), adjust drawer front and tighten screw again.

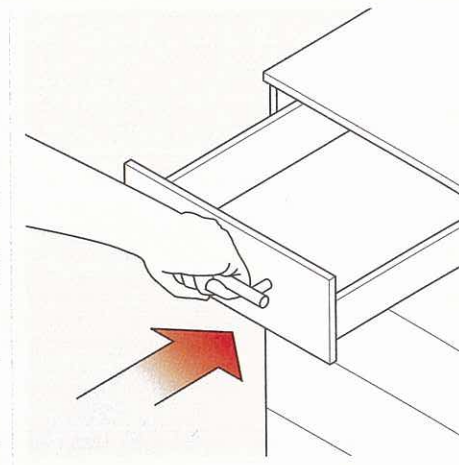
Drawer insertion



Catch is in loaded position on both sides.

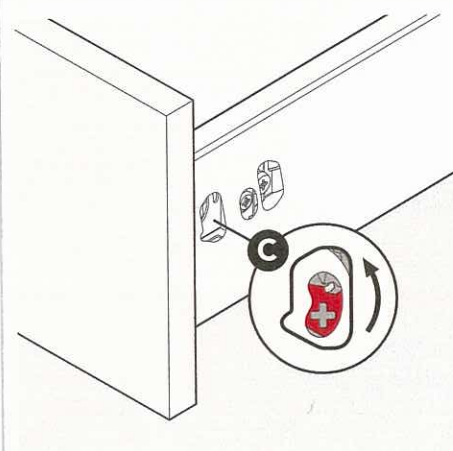


Place onto extended slides.

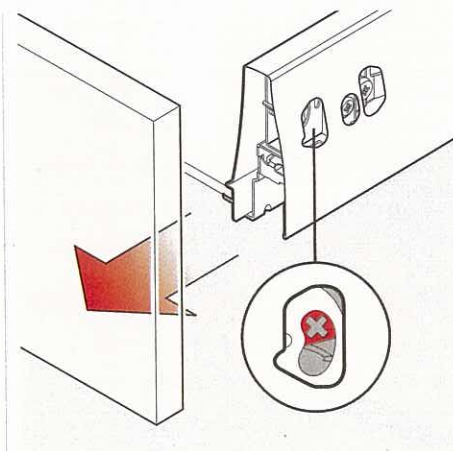


Raise gently at the front and close, when fully closed – automatically locked.

Drawer front demounting



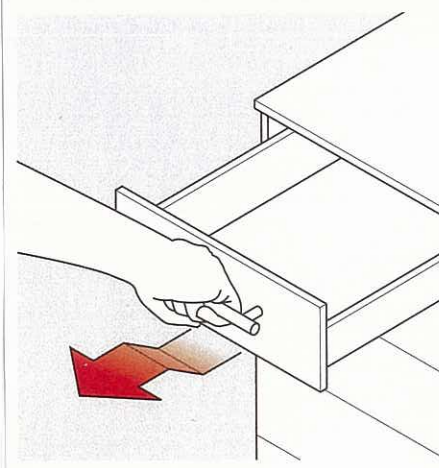
Loosen with Pozi driver # 2.



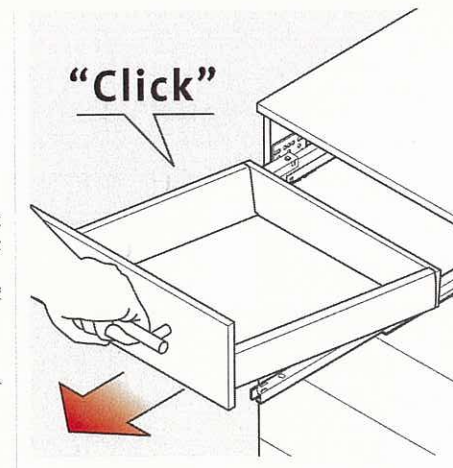
Drawer front can be removed.

Loosen bottom-/front connector if used.

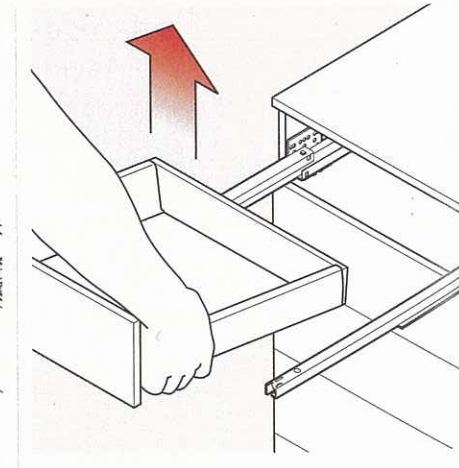
Drawer removal



Open drawer, slightly raise approx. 10 cm before end stop.



Lift when extended and pull out horizontally.



Drawer can be removed.